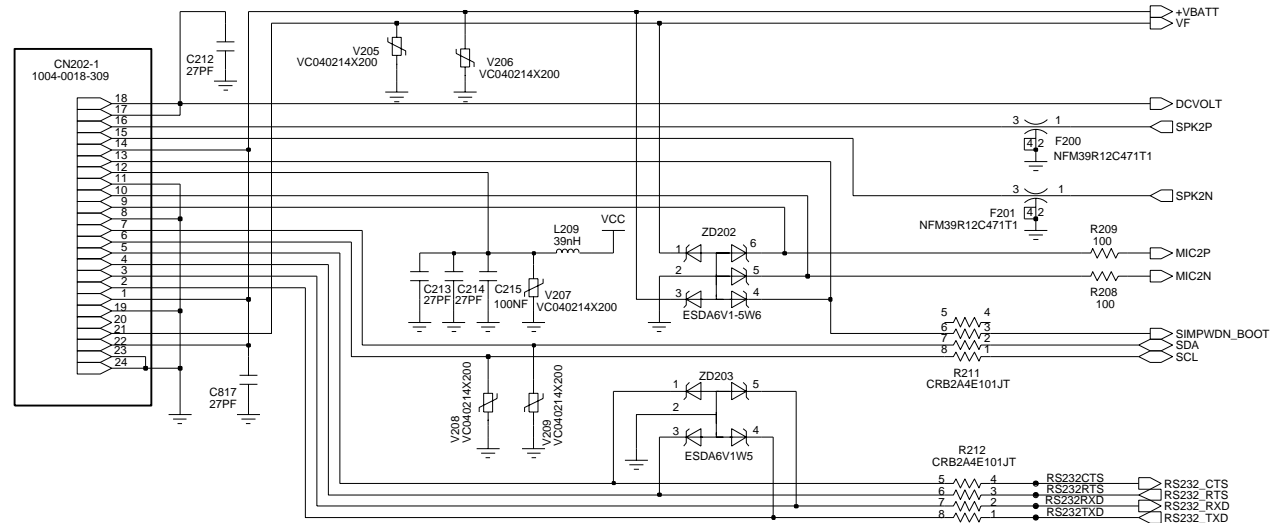
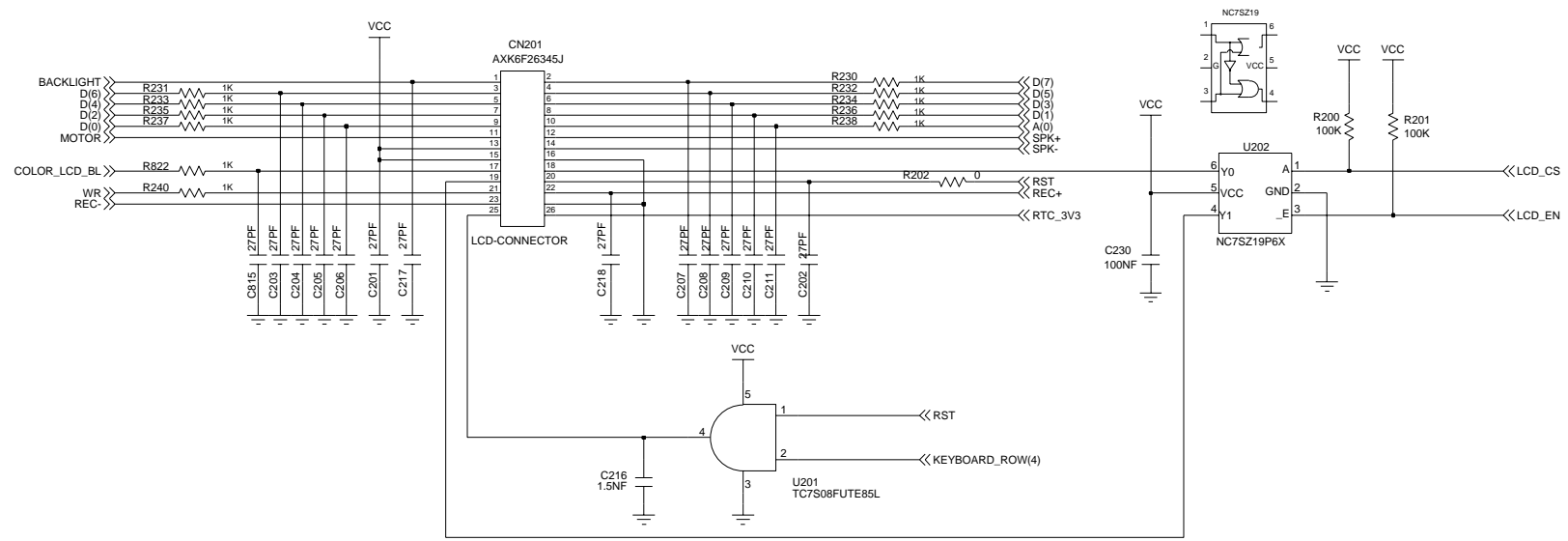


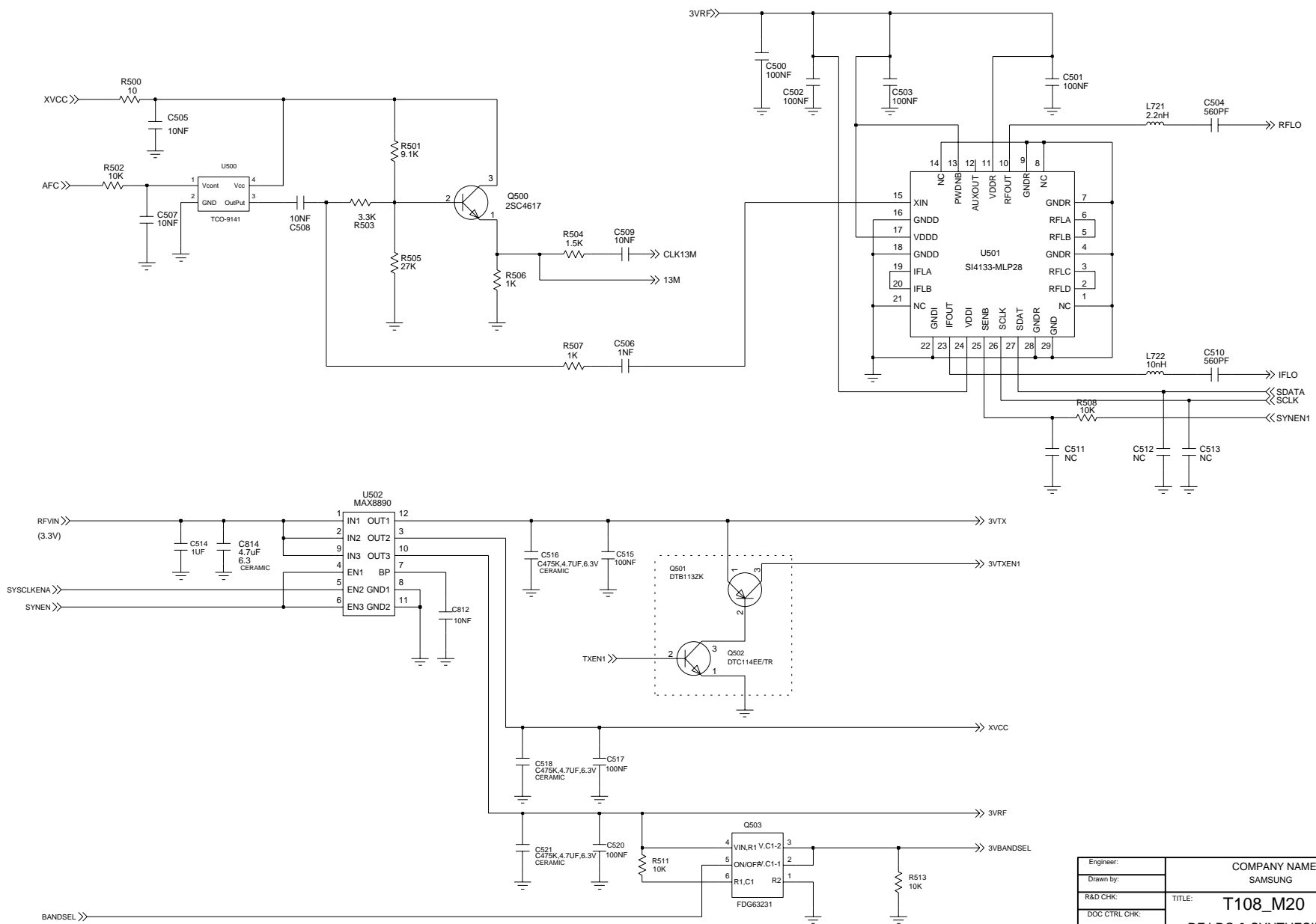
Engineer:	COMPANY NAME		
Drawn by:	SAMSUNG		
R&D CHK:	TITLE:	T108_M20	Size: A3
DOC CTRL CHK:	POWER MANAGEMENT & SIM INTERFACE		
MFG ENGR CHK:	REV:	Drawing Number:	Page: 1/8
QA CHK:			



Engineer:	COMPANY NAME		
Drawn by:	SAMSUNG		
R&D CHK:	TITLE: T108_M20	Size: A2	
DOC CTRL CHK:	LCD & I/F COON. SCHEMATIC		
MFG ENGR CHK:			
QA CHK:	REV:	Drawing Number:	Page: 2/8



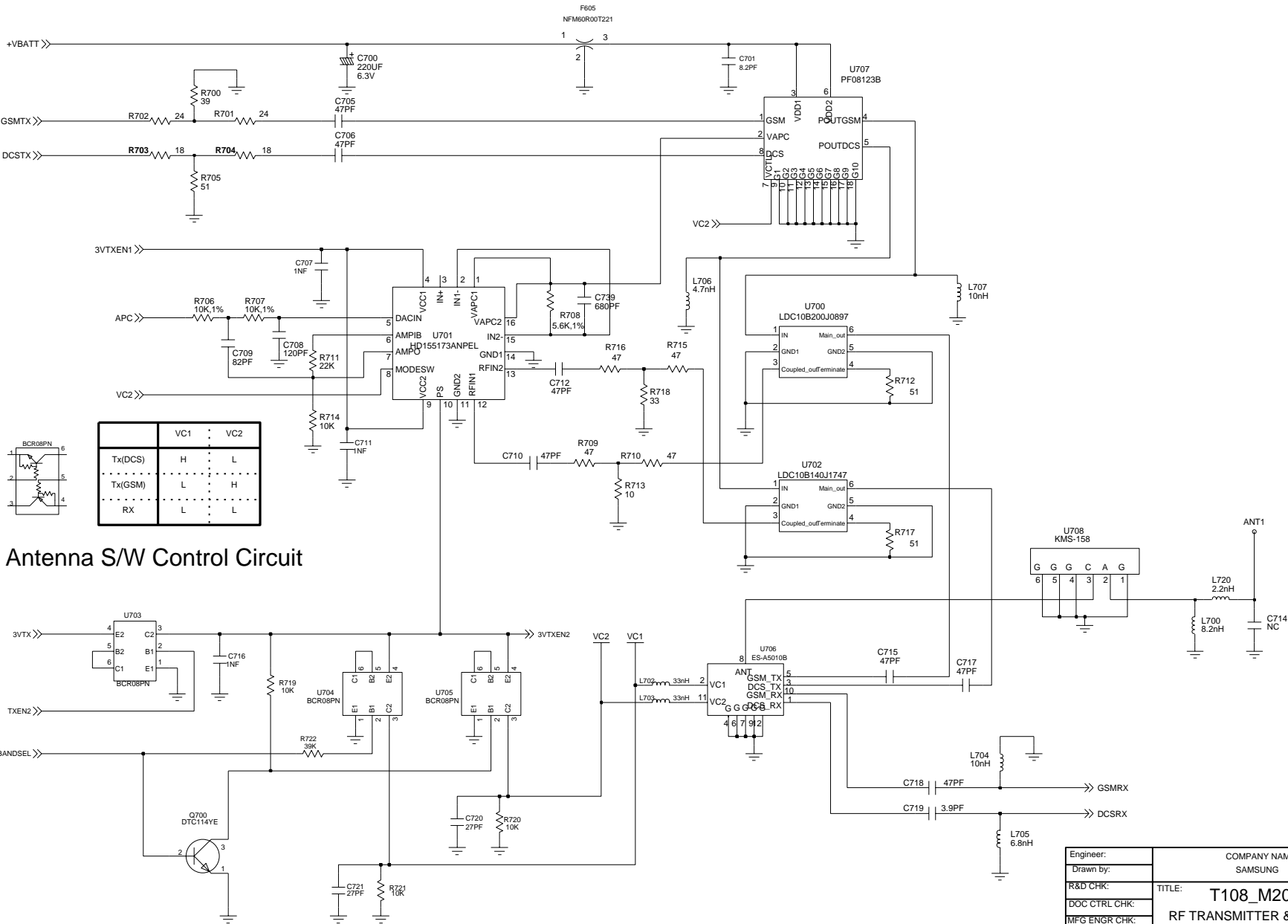




Engineer:	COMPANY NAME		
Drawn by:	SAMSUNG		
R&D CHK:	TITLE:	T108_M20	
DOC CTRL CHK:	RF LDO & SYNTHESIZER		
MFG ENGR CHK:	REV:	Drawing Number:	Page: 5/8

Changed by: I.S.SEO Date Changed: 2002.02.26 Time Changed:

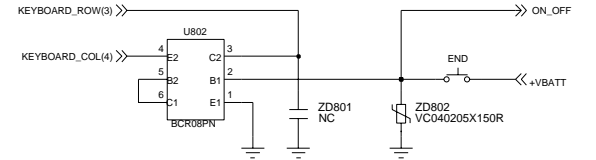
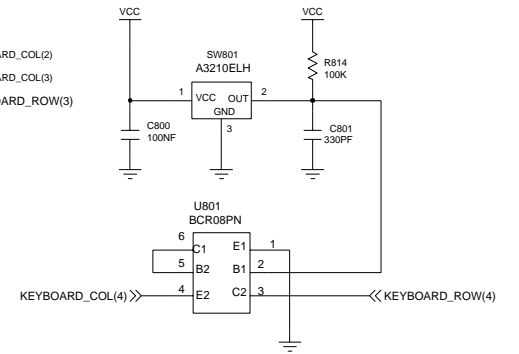
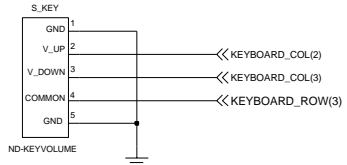
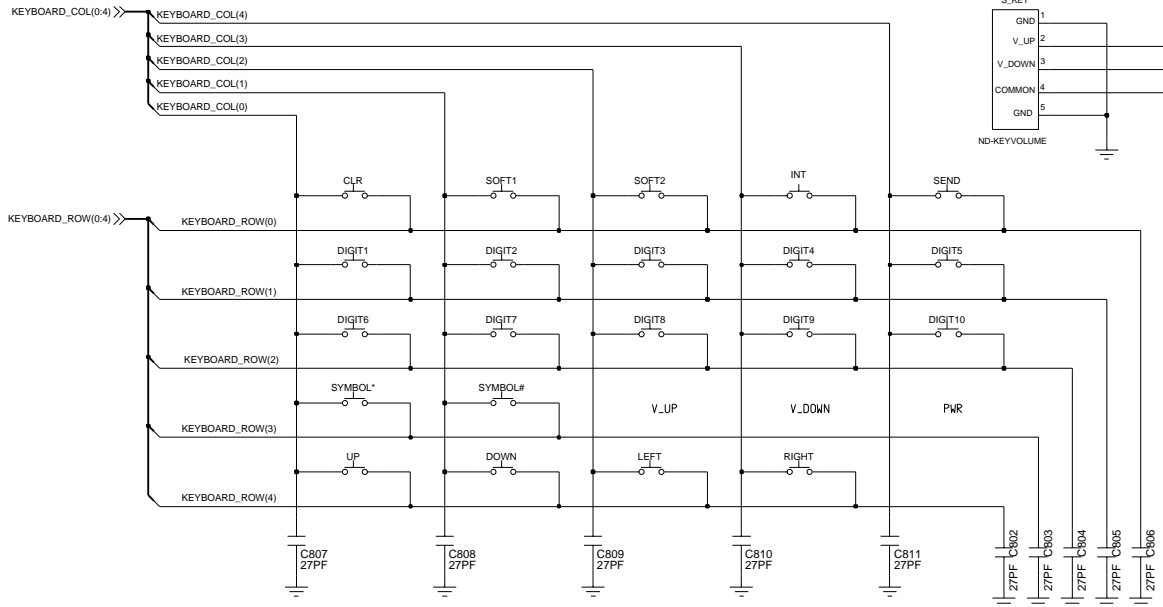
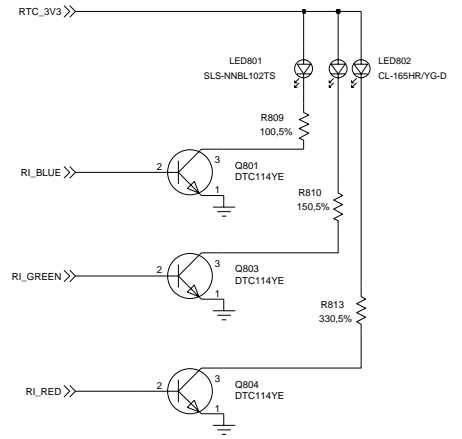
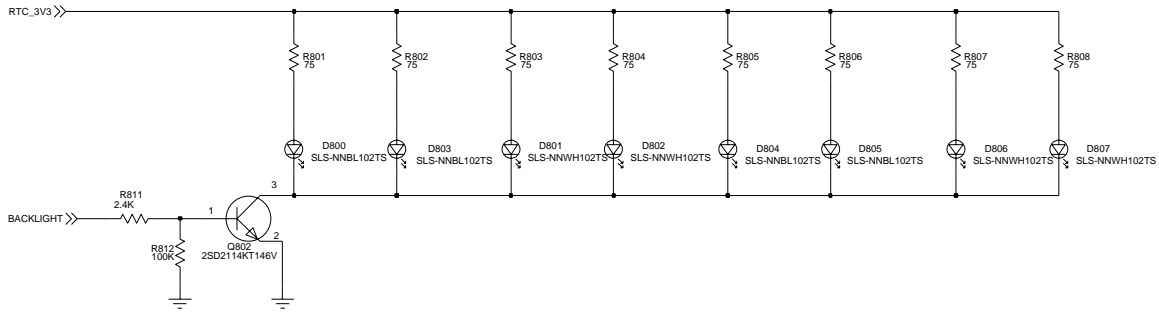




	VC1	VC2
Tx(DCS)	H	L
Tx(GSM)	L	H
RX	L	L

### Antenna S/W Control Circuit

Engineer:	COMPANY NAME		
Drawn by:	SAMSUNG		
R&D CHK:	TITLE:	T108_M20	Size: A2
DOC CTRL CHK:	RF TRANSMITTER & ANT SW		
MFG ENGR CHK:	REV:	Drawing Number:	Page: 7/8



Engineer:	COMPANY NAME		
Drawn by:	SAMSUNG		
R&D CHK:	TITLE:	T108_M20	
DOC CTRL CHK:	KEY & LED		Size: A3
MFG ENGR CHK:			
QA CHK:	REV:	Drawing Number:	Page: 8/8